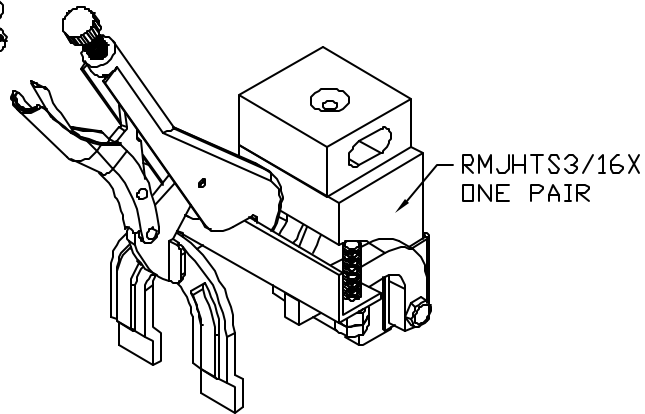
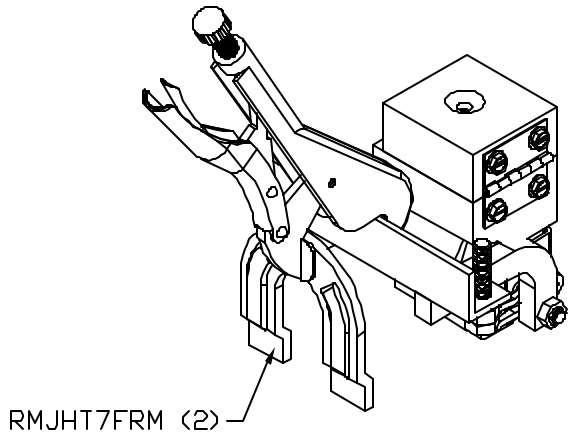
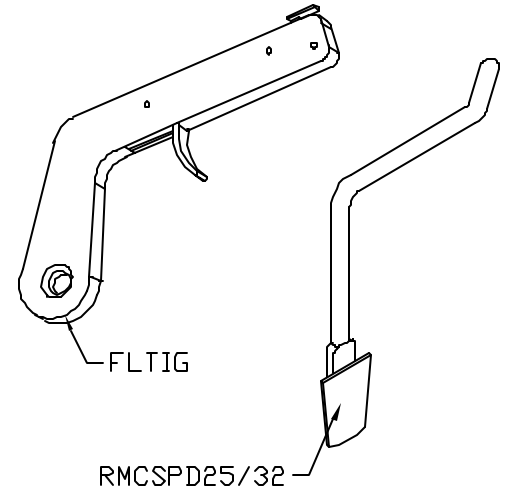


CLIP INSTALLATION
(2) PLACES NTS



RAIL HEAD WELDER

THIS DOCUMENT AND THE CONTENTS THEREOF IS THE PROPERTY OF HARGER INC., AND IS FURNISHED TO YOU FOR INFORMATION ONLY. THE INFORMATION CONTAINED HEREIN IS CONFIDENTIAL AND OF A PROPRIETARY NATURE AND MUST NOT BE DISCLOSED TO THIRD PARTIES WITHOUT THE EXPRESS WRITTEN APPROVAL OF HARGER INC.					PART NO. RMJHTS3/16T7 ASSEMBLY	
					DRAWN BY: LAL	
	A	UPDATED DWG	102804	LAL	CHECKED BY:	
	LET	REVISION	DATE	BY	DATE: 091003	SCALE: 5/16
	TOLERANCES UNLESS NOTED: FRACTIONAL +/- 1/16 .00 +/- .030 .000 +/- .010				SHEET: 1 OF 1	

HARGER
 301 ZIEGLER DRIVE
 GRAYSLAKE, IL 60030
 (847) 548-8700